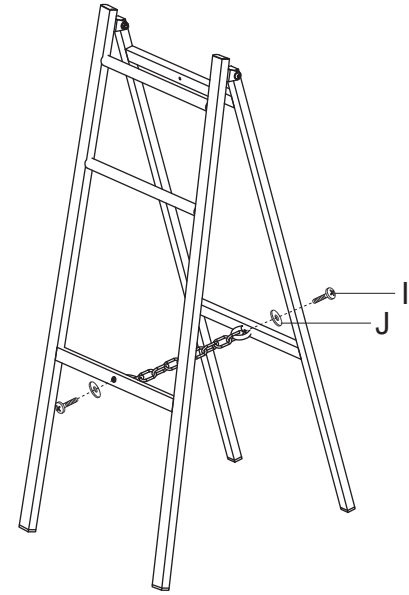










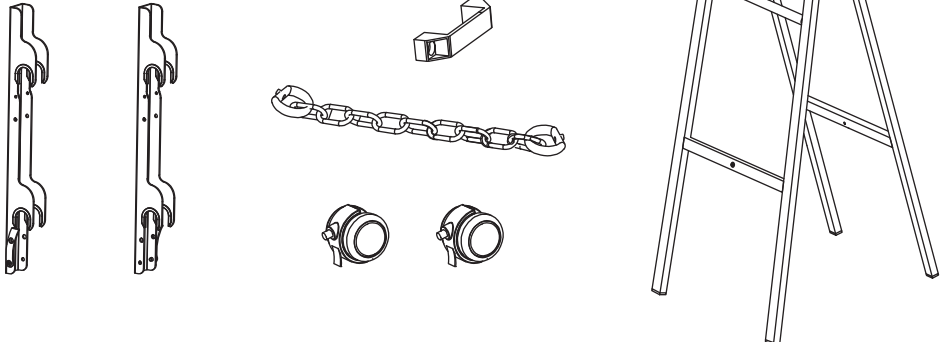


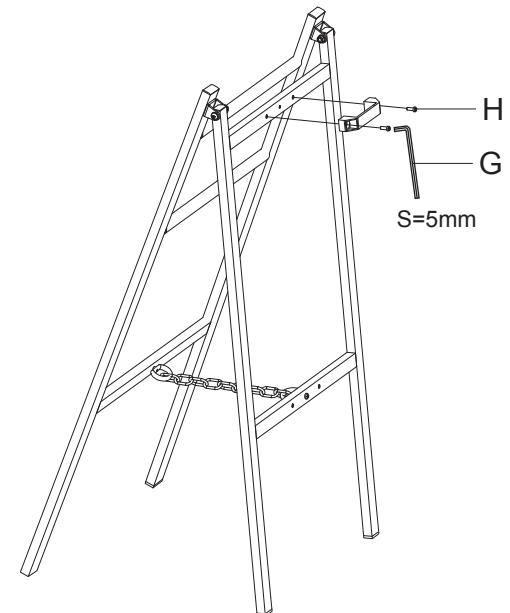
1



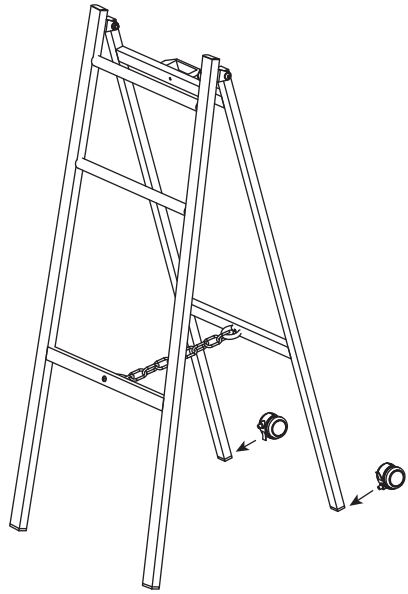
- | | | | | | |
|--|---|---|---|---|---|
|  |  |  |  |  |  |
| M4x16 (x4) | M5x16 (x4) | Φ15x5.3x1.2(x8) | M6x16 (x4) | M8x16 (x4) | Φ17x8.4x1.2(x8) |
| A | B | C | D | E | F |
|  |  |  |  | | |
| S=5mm (x1) | M6x16 (x2) | M6x35 (x2) | Φ12x6.7x1(x2) | | |
| G | H | I | J | | |



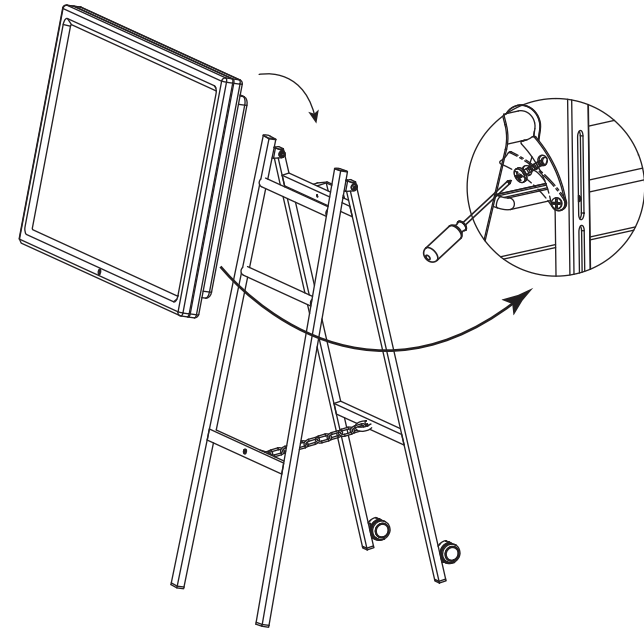
2



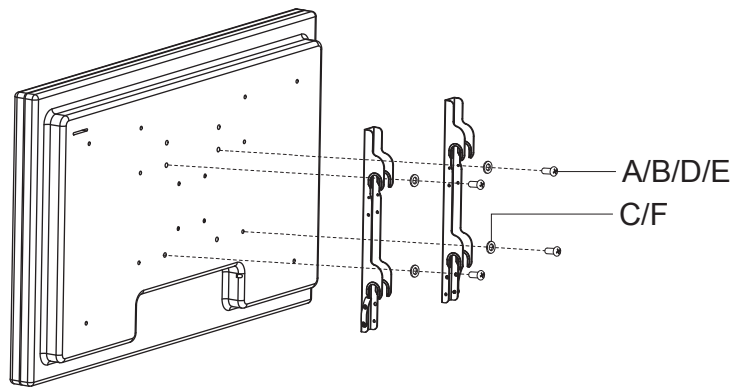
3



5



4



6

